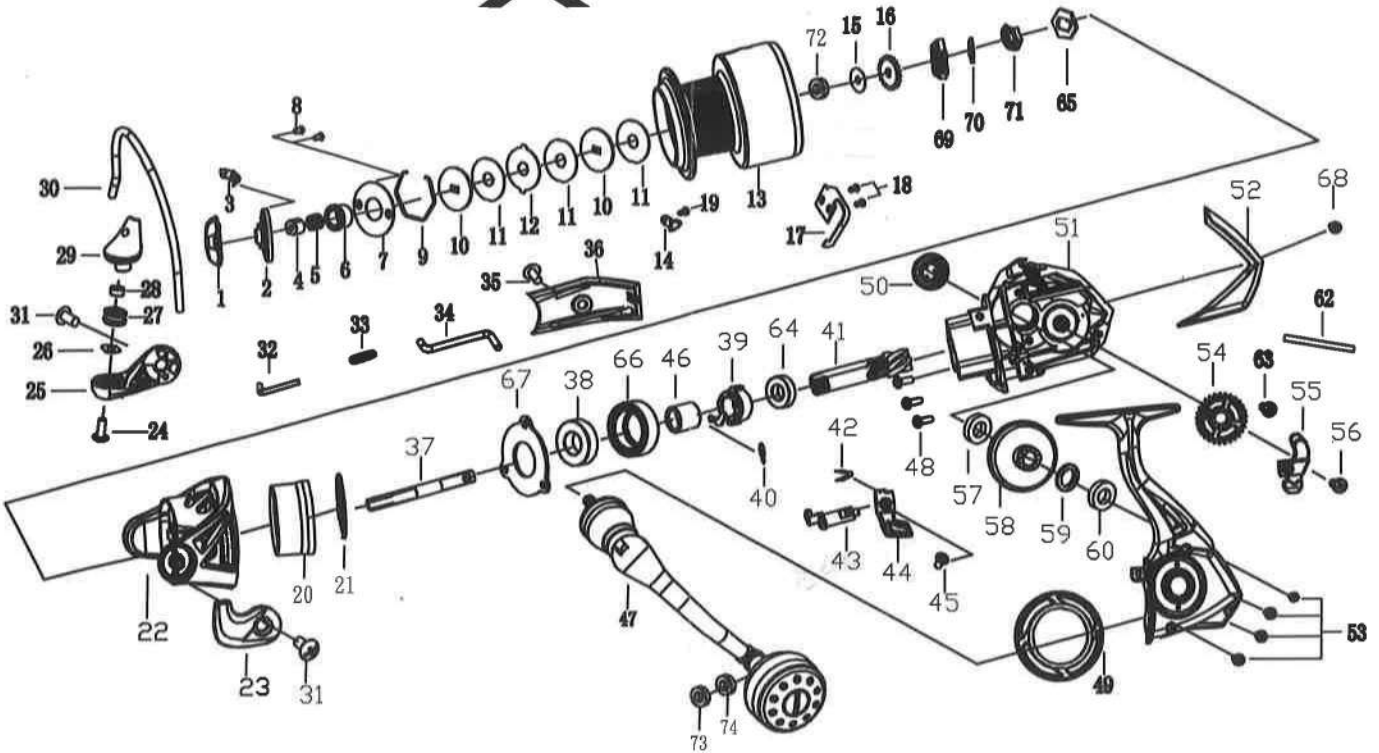


CARBON PRO RX



SEAHAWK®
- SINCE 1978 -

PARTS NO	PARTS NAME	PARTS NO	PARTS NAME	PARTS NO	PARTS NAME
1	DARG KNOB CAP	26	LINE ROLLER W/S	51	BODY COVER
2	DRAG KNOB	27	LINE ROLLER	52	BODY CAP
3	DRAG CLICK CLAW	28	5*8*2.5 BALL BEARING	53	BODY COVER S/C *A*
4	DRAG NUT	29	LINE SLIDER	54	O/S GEAR
5	DRAG SRING	30	BAIL ARM	55	O/S SLIDER
6	DRAG BUSHING	31	ARMLIVER S/C	56	O/S GEAR S/C
7	DRAG PLATE	32	ARM LEVER SHAFT	57	7*11*3 BALL BEARING
8	DRAG SCREW	33	ARM LEVER SPRING	58	DRIVE GRAR
9	SPOOL RING	34	KICK LEVER	59	DRIVE GEAR W/S
10	SPOOL *D*W/S	35	SQUARE SIDE S/C	60	8*14*4 BALL BEARING
11	SPOOL *A*W/S	36	SQUARE SIDE	61	BODY
12	SPOOL W/S	37	MAIN SHAFT	62	O/S SLIDER FIX
13	SPOOL	38	BALL BEARING	63	O/S GEAR S/C
14	LINE CLIP	39	ONE-WAY	64	7*14*5 BALL BEARING
15	MAIN SHAFT W/S	40	ONE-WAY SPRING	65	ROTOR W/S
16	CLICK GEAR	41	PINION	66	PINION BEARING SHEATH
17	SPOOL CLICK CLAW	42	STOPPER LEVER S/P	67	PINION BEARING ROTOR W/S
18	SPOOL CLICK CLAW S/C	43	STOPPER LEVER SHAFT	68	BODY CAP S/C
19	LINE CLIP S/C	44	STOPPER LEVER	69	ROTOR NUT FIXING SLEEVE
20	ONE-WAY SHELL	45	STOPPER LEVER S/C	70	RUBBER WATERPROOF RING
21	ONE-WAY WATERPROOF RING	46	ONE-WAY INSIDE TRACK	71	ROTOR NUT
22	ROTOR	47	HANDLE ASSY	72 73 74	5*8*2.5 BALL BEARING
23	BAIL HOLDER	48	PINION BEARING ROTOR W/S S/C		
24	BAIL SCREW	49	BODY DECK		
25	ARM LEVER	50	HANDLE CAP		